

3K 3412 VIO / HT VIO

HAMMTRONIC



OSCILLATION



Compactor with vibration and oscillation

- ▶ Ergonomic driver's compartment for perfect all-round visibility
- ▶ Convenient information display
- ▶ Hammtronic - electronic machine management
- ▶ Infinitely variable hydrostatic all-wheel drive
- ▶ Great engine performance with traction control
- ▶ High climbing power through automatic slip control
- ▶ 3-point swivel joint for highest driving comfort
- ▶ Hydrostatic steering
- ▶ Very easy maintenance, long service intervals



3412 VIO / 3412 HT VIO



TECHNICAL DATA	3412 VIO	3412 HT VIO
----------------	----------	-------------

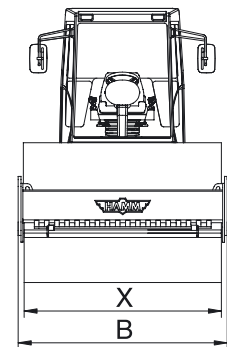
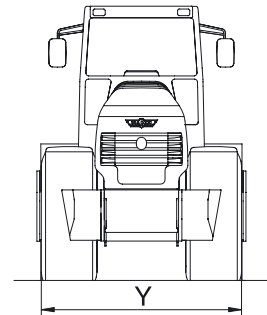
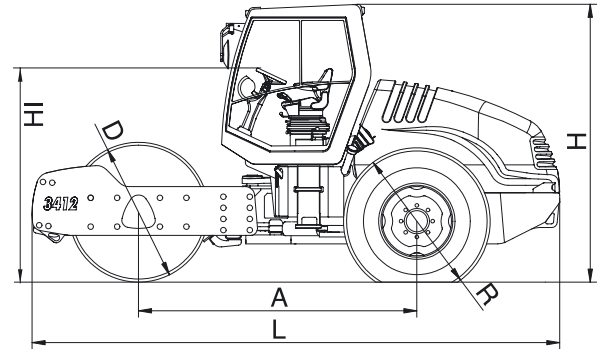
Weights			
Operating weight	kg	11920	11920
Maximum weight	kg	14200	14200
Axle load, front/rear	kg	6425/5495	6425/5495
Load per tire, rear	kg	2747,5	2747,5
Static linear load, front	kg/cm	30,0	30,0
Machine dimensions			
Max. working width	mm	2140	2140
Turning radius, inside	mm	3690	3690
Size of tires, rear		AW 23.1-26 12 PR	AW 23.1-26 12 PR
Diesel engine			
Manufacturer		DEUTZ	DEUTZ
Type		TCD 2012 L04 2V	TCD 2012 L04 2V
Number of cylinders		4	4
Power rat. ISO 14396, kW/PS/rpm		100,0/136,0/2300	100,0/136,0/2300
Power rating SAE J1349, kW/HP/rpm		100,0/134,0/2300	100,0/134,0/2300
Drive			
Hydrostatic drive, front/rear		Hydraulic motor/axle	Hydraulic motor/axle
Regulation, infinitely variable			Hammonic/manual
Speed, infinitely variable	km/h		0 - 11,9
Speed, working gear	km/h	0-3,9/0-5,5/0-6,4	
Speed, transportation gear	km/h	0-11,9	
Climbing ability, vibration on/off	%	56/61	57/62
Vibration system			
Hydrostatic drive			
Vibration			
Vibration frequency	Hz	33	33
Amplitude, vibration	mm	1,89	1,89
Centrifugal force, vibr.	kN	279	279
Oscillation			
Oscillation frequency	Hz	33	33
Tangential amplitude, oscillation	mm	1,74	1,74
Oscillation force	kN	279	279
Steering			
Steering, type		Pivoted steering	Pivoted steering
Steering, actuation		hydrostatic, steer. wheel	hydrostatic, steer. wheel
Steering lock +/-	Grad	35	35
Oscillation angle +/-	Grad	10	10
Brake system			
Service brake, mode of action		hydrostatic	hydrostatic
Service brake, actuation		Drive lever	Drive lever
Parking brake, mode of action		Spring-loaded/mechanical	Spring-loaded/mechanical
Parking brake, actuation		electr. a. autom.	electr. a. autom.
Emergency brake, mode of action		hydr./mech.	hydr./mech.
Emergency brake, actuation		Emergency stop	Emergency stop

Equipment
Suspended driving position, access from both sides. Sliding and swivelling seat console. 2 multifunctional drive levers. Traction control. Swivelling drive and dashboard console. Modern information and control display. Sound insulation. Tilttable GFK-engine hood. CE-conformity.

Optional
Comfortable ROPS cabin with panoramic view. Working lights, wipers front/rear, exterior and interior mirrors. Radio. Heating with dust free ventilation. Air conditioning. ROPS/FOPS. Sun top. HCQ-Indicator, HCQ-Printer, HCQ-GPS-Navigator. Tachograph. Lighting according to German Road Regulation. Special paint.

Further data on request / subject to change

3412 VIO - Compactor with vibration and oscillation
3412 HT VIO - Compactor with vibration, oscillation, Hammonic



		3412 VIO	3412 HT VIO
Total length	L	5705	5705
Total width	B	2250	2250
Total height	H	2950	2950
Wheel base	A	3015	3015
Roller drum width	X	2140	2140
Drum diameter	D	1504	1504
Width over tires	Y	2130	2130
Diameter of tires	R	1565	1565
High loading, min.	HI	2270	2270