

3K 3516 / 3516 P



Vibratory compactor

- ▶ Ergonomic driver's compartment for perfect all-round visibility
- ▶ Convenient information display
- ▶ Infinitely variable hydrostatic all-wheel drive
- ▶ Great engine performance with traction control
- ▶ High climbing power through automatic slip control
- ▶ 3-point swivel joint for highest driving comfort
- ▶ Hydrostatic steering
- ▶ Very easy maintenance, long service intervals



TECHNICAL DATA	3516	3516 P
----------------	------	--------

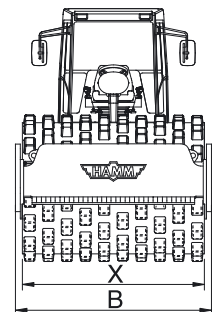
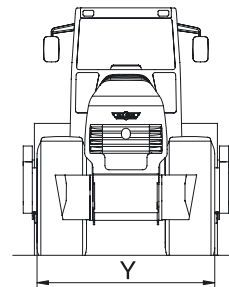
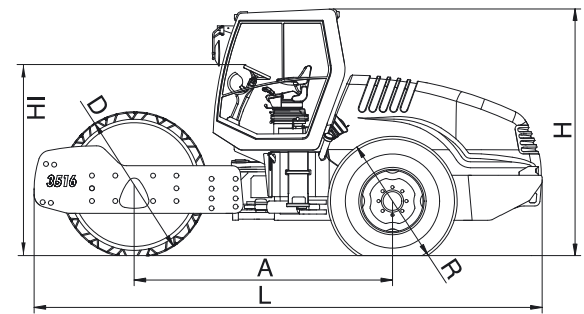
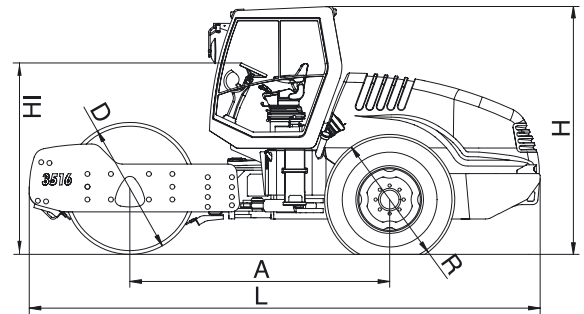
Weights			
Operating weight	kg	15755	15855
Maximum weight	kg	16200	17800
Axle load, front/rear	kg	9305/6450	9405/6450
Load per tire, rear	kg	3225	3225
Static linear load, front	kg/cm	43,5	
Machine dimensions			
Max. working width	mm	2140	2140
Turning radius, inside	mm	4360	4360
Padfoot, number			140
Height of the padfoot	mm		100
Front area of padfoot			152
Size of tires, rear		AW 23.1-26 12 PR	TR 23.1-26 12 PR
Diesel engine			
Manufacturer	DEUTZ	DEUTZ	
Type	TCD 2012 L06 2V	TCD 2012 L06 2V	
Number of cylinders	6	6	
Power rat. ISO 14396, kW/PS/rpm	155,0/210,8/2300	155,0/210,8/2300	
Power rating SAE J1349, kW/HP/rpm	155,0/207,7/2300	155,0/207,7/2300	
Drive			
Hydrostatic drive, front/rear	Hydraulic motor/axle	Hydraulic motor/axle	
Speed, working gear	km/h	0-4,6/0-5,9/0-7,3	0-4,7/0-6,0/0-7,6
Speed, transportation gear	km/h	0-11,5	0-11,8
Climbing ability, vibration on/off	%	51/56	54/59
Vibration system			
Hydrostatic drive			
Vibration			
Vibration frequency, front, l/l	Hz	30/40	30/40
Amplitude, front, l/l	mm	1,90/0,90	1,86/0,88
Centrifugal force, front, l/l	kN	256/215	256/215
Steering			
Steering, type	Pivoted steering	Pivoted steering	
Steering, actuation	hydrostatic, steer. wheel	hydrostatic, steer. wheel	
Steering lock +/-	Grad	32	32
Oscillation angle +/-	Grad	10	10
Brake system			
Service brake, mode of action	hydrostatic	hydrostatic	
Service brake, actuation	Drive lever	Drive lever	
Parking brake, mode of action	Spring-loaded/mechanical	Spring-loaded/mechanical	
Parking brake, actuation	electr. a. autom.	electr. a. autom.	
Emergency brake, mode of action	hydr./mech.	hydr./mech.	
Emergency brake, actuation	Emergency stop	Emergency stop	

Equipment
Suspended driving position, access from both sides. Sliding and swivelling seat console. 2 multifunctional drive levers. Traction control. Swivelling drive and dashboard console. Modern information and control display. Sound insulation. Tilttable GFK-engine hood. CE-conformity.

Optional
Comfortable ROPS cabin with panoramic view. Working lights, wipers front/rear, exterior and interior mirrors. Radio. Heating with dust free ventilation. Air conditioning. ROPS/FOPS. Sun top. HCQ-Indicator, HCQ-Printer, HCQ-GPS-Navigator. Tachograph. Lighting according to German Road Regulation. Special paint.

Further data on request / subject to change

3516 - Vibratory compactor
3516 P - Padfoot compactor



		3516	3516 P
Total length	L	6075	6075
Total width	B	2270	2270
Total height	H	2950	2950
Wheel base	A	3090	3090
Roller drum width	X	2140	2140
Drum diameter	D	1504	1684
Width over tires	Y	2130	2130
Diameter of tires	R	1565	1565
High loading, min.	HI	2270	2270