

3K 3516 / 3516 P HT

HAMMTRONIC



Vibratory compactor with Hammtronic

- ▶ Ergonomic driver's compartment for perfect all-round visibility
- ▶ Convenient information display
- ▶ Hammtronic - electronic machine management
- ▶ Infinitely variable hydrostatic all-wheel drive
- ▶ Great engine performance with traction control
- ▶ High climbing power through automatic slip control
- ▶ 3-point swivel joint for highest driving comfort
- ▶ Hydrostatic steering
- ▶ Very easy maintenance, long service intervals



3516 HT / 3516 HT P



TECHNICAL DATA

3516 HT

3516 HT P

Weights			
Operating weight	kg	15755	15855
Maximum weight	kg	16200	17800
Axle load, front/rear	kg	9305/6450	9405/6450
Load per tire, rear	kg	3225	3225
Static linear load, front	kg/cm	43,5	
Machine dimensions			
Max. working width	mm	2140	2140
Turning radius, inside	mm	4360	4360
Padfoot, number			140
Height of the padfoot	mm		100
Front area of padfoot			152
Size of tires, rear		AW 23.1-26 12 PR	TR 23.1-26 12 PR
Diesel engine			
Manufacturer		DEUTZ	DEUTZ
Type		TCD 2012 L06 2V	TCD 2012 L06 2V
Number of cylinders		6	6
Power rat. ISO 14396, kW/PS/rpm		155,0/210,8/2300	155,0/210,8/2300
Power rating SAE J1349, kW/HP/rpm		155,0/207,7/2300	155,0/207,7/2300
Drive			
Hydrostatic drive, front/rear		Hydraulic motor/axle	Hydraulic motor/axle
Regulation, infinitely variable		Hammtronic/manual	Hammtronic/manual
Speed, infinitely variable	km/h	0 - 11,5	0 - 11,8
Climbing ability, vibration on/off	%	57/62	65/70
Vibration system			
Hydrostatic drive			
Vibration			
Vibration frequency, front, l/l	Hz	30/40	30/40
Amplitude, front, l/l	mm	1,90/0,90	1,86/0,88
Centrifugal force, front, l/l	kN	256/215	256/215
Steering			
Steering, type		Pivoted steering	Pivoted steering
Steering, actuation		hydrostatic, steer. wheel	hydrostatic, steer. wheel
Steering lock +/-	Grad	32	32
Oscillation angle +/-	Grad	10	10
Brake system			
Service brake, mode of action		hydrostatic	hydrostatic
Service brake, actuation		Drive lever	Drive lever
Parking brake, mode of action		Spring-loaded/mechanical	Spring-loaded/mechanical
Parking brake, actuation		electr. a. autom.	electr. a. autom.
Emergency brake, mode of action		hydr./mech.	hydr./mech.
Emergency brake, actuation		Emergency stop	Emergency stop

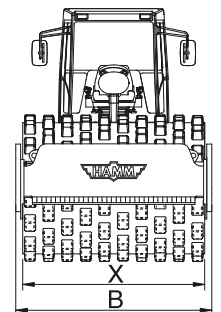
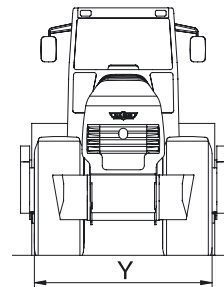
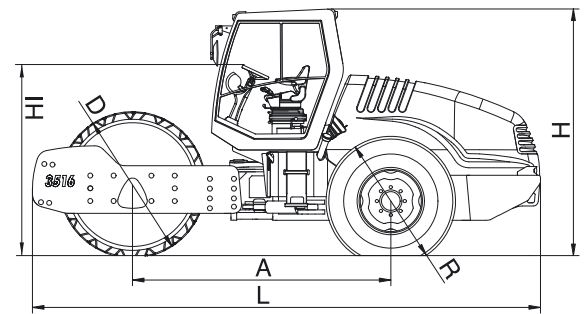
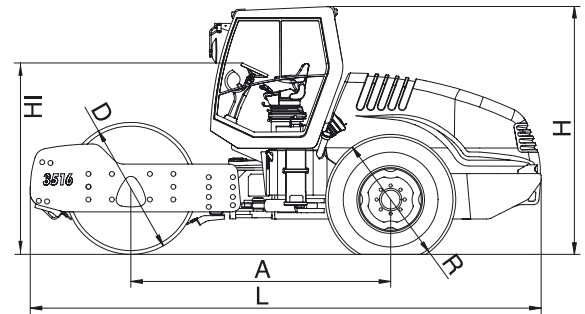
Equipment
Suspended driving position, access from both sides. Sliding and swivelling seat console. 2 multifunctional drive levers. Traction control system. Engine management. Velocity pre-selection. Frequency control. Swivelling drive and dashboard console. Modern information and control display. Sound insulation. Tilttable GFK-engine hood. CE-conformity.

Optional

Comfortable ROPS cabin with panoramic view. Working lights, wipers front/rear, exterior and interior mirrors. Radio. Heating with dust free ventilation. Air conditioning. ROPS/FOPS. Sun top. HCQ-Indicator, HCQ-Printer, HCQ-GPS-Navigator. Tachograph. Lighting according to German Road Regulation. Special paint.

Further data on request / subject to change

3516 HT - Vibratory compactor with Hammtronic
3516 HT P - Padfoot compactor with Hammtronic



		3516 HT	3516 HT P
Total length	L	6075	6075
Total width	B	2270	2270
Total height	H	2950	2950
Wheel base	A	3090	3090
Roller drum width	X	2140	2140
Drum diameter	D	1504	1684
Width over tires	Y	2130	2130
Diameter of tires	R	1565	1565
High loading, min.	HI	2270	2270