

3K 3625 HT

HAMMTRONIC



Vibratory compactor with Hammtronic

- ▶ Ergonomic driver's compartment for perfect all-round visibility
- ▶ Convenient information display
- ▶ Hammtronic - electronic machine management
- ▶ Infinitely variable hydrostatic all-wheel drive
- ▶ Great engine performance with traction control
- ▶ High climbing power through automatic slip control
- ▶ 3-point swivel joint for highest driving comfort
- ▶ Hydrostatic steering
- ▶ Very easy maintenance, long service intervals



TECHNICAL DATA

3625 HT

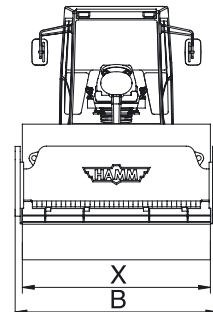
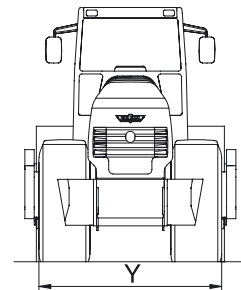
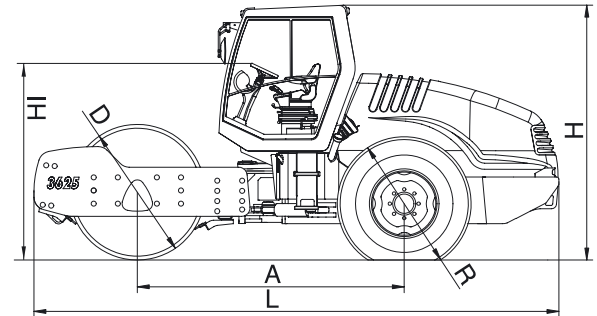
Weights	
Operating weight	kg 24785
Maximum weight	kg 25000
Axle load, front/rear	kg 16115/8670
Load per tire, rear	kg 4335
Static linear load, front	kg/cm 72.4
Machine dimensions	
Max. working width	mm 2220
Turning radius, inside	mm 4940
Size of tires, rear	EM 23.5-R25 XTLA
Diesel engine	
Manufacturer	DEUTZ
Type	TCD 2012 L06 2V
Number of cylinders	6
Power rat. ISO 14396, kW/PS/rpm	155,0/210,8/2300
Power rating SAE J1349, kW/HP/rpm	155,0/207,7/2300
Drive	
Hydrostatic drive, front/rear	Hydraulic motor/axle
Regulation, infinitely variable	Hammtronic/manual
Speed, infinitely variable	km/h 0 - 12,5
Climbing ability, vibration on/off	% 52/57
Vibration system	
Hydrostatic drive	
Vibration	
Vibration frequency, front, I/II	Hz 27/30
Amplitude, front, I/II	mm 2,00/1,19
Centrifugal force, front, I/II	kN 331/243
Steering	
Steering, type	Pivoted steering
Steering, actuation	hydrostatic, steer. wheel
Steering lock +/-	Grad 30
Oscillation angle +/-	Grad 10
Brake system	
Service brake, mode of action	hydrostatic
Service brake, actuation	Drive lever
Parking brake, mode of action	Spring-loaded/mechanical
Parking brake, actuation	electr. a. autom.
Emergency brake, mode of action	hydr./mech.
Emergency brake, actuation	Emergency stop

Equipment
Suspended driving position, access from both sides. Sliding and swivelling seat console. 2 multifunctional drive levers. Automatic traction control system, engine management, Velocity pre-selection. Frequency control. Swivelling drive and dashboard console. Modern information and control display. Sound insulation. Tilttable GFK-engine hood. CE-conformity.

Optional
Comfortable ROPS cabin with panoramic view. Working lights, wipers front/rear, exterior and interior mirrors. Radio. Heating with dust free ventilation. Air conditioning. ROPS/FOPS. Sun top. HCQ-Indicator, HCQ-Printer, HCQ-GPS-Navigator. Tachograph. Lighting according to German Road Regulation. Special paint.

Further data on request / subject to change

3625 HT - Vibratory compactor with Hammtronic



	3625 HT	
Total length	L	6355
Total width	B	2490
Total height	H	2990
Wheel base	A	3230
Roller drum width	X	2220
Drum diameter	D	1600
Width over tires	Y	2150
Diameter of tires	R	1565
High loading, min.	HI	2320