

HD+ 140 VV / VO



OSCILLATION



Articulated tandem roller



- ▶ Ergonomic driver's seat with 2 multifunction control lever
- ▶ Driver's seat including steering wheel and instrument panel rotatable and pivotable
- ▶ Outstanding visibility to the surface and edge of the drum and surroundings
- ▶ Crab steering to extend the working with
- ▶ Hydrostatic all-wheel drive ensures great climbing pave
- ▶ Turbo-Diesel engine with high performance and low noise level
- ▶ Sprinkler system with 2 water pumps, spraying jets visible from the driver's seat



HD+ 140 VV / HD+ 140 VO



TECHNICAL DATA

HD+ 140 VV

HD+ 140 VO

Weights			
Operating weight	kg	13390	13560
Maximum weight	kg	14800	14800
Axle load, front/rear	kg	6640/6750	6625/6935
Static linear load, front/rear	kg/cm	31,0/31,5	31,0/32,4
Machine dimensions			
Max. working width	mm	2310	2310
Turning radius, inside	mm	5205	5205
Diesel engine			
Manufacturer		DEUTZ	DEUTZ
Type		TCD 2012 L04 2V	TCD 2012 L04 2V
Number of cylinders		4	4
Power rat. ISO 14396, kW/PS/rpm		100,0/136,0/2300	100,0/136,0/2300
Power rating SAE J1349, kW/HP/rpm		100,0/134,0/2300	100,0/134,0/2300
Drive			
Hydrostatic drive, front/rear		Hydr. motor/hydr. motor	Hydr. motor/hydr. motor
Speed, infinitely variable	km/h		0-22,0
Climbing ability, vibration on/off	%	30/35	30/35
Vibration system			
Hydrostatic drive, double drum vibration			
Vibration			
Vibration frequency, front, l/ll	Hz	40/50	40/50
Vibration frequency, rear, l/ll	Hz	40/50	
Amplitude, front, l/ll	mm	0,82/0,44	0,82/0,44
Amplitude, rear, l/ll	mm	0,82/0,44	
Centrifugal force, front, l/ll	kN	149/124	149/124
Centrifugal force, rear, l/ll	kN	149/124	
Oscillation			
Oscillation frequency, rear	Hz		42
Tangential amplitude, rear	mm		1,39
Oscillation force, rear	kN		279
Steering			
Steering, type		Pivoted steering	Pivoted steering
Steering, actuation		hydrostatic, steer. wheel	hydrostatic, steer. wheel
Steering lock +/-	Grad	30	30
Oscillation angle +/-	Grad	10	10
Brake system			
Service brake, mode of action		hydrostatic	hydrostatic
Service brake, actuation		Drive lever	Drive lever
Parking brake, mode of action		Spring-loaded/mechanical	Spring-loaded/mechanical
Parking brake, actuation		electr. a. autom.	electr. a. autom.
Emergency brake, mode of action		hydr./mech.	hydr./mech.
Emergency brake, actuation		Emergency stop	Emergency stop
Sprinkler system			
Water sprinkler, type		Pressure	Pressure
Actuation, sprinkling		interval/manual	interval/manual
Water tank, capacity	Ltr.	1160	1160

Spring loaded driving position, 1 swivelling and turning driver seat, 2 multifunction levers, left and right at seat, indicators for: engine temperature, working hours, fuel tank, control lights and emergency stop button.

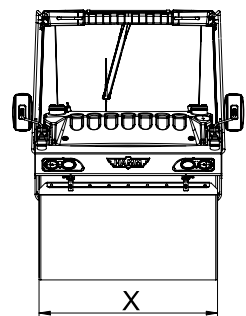
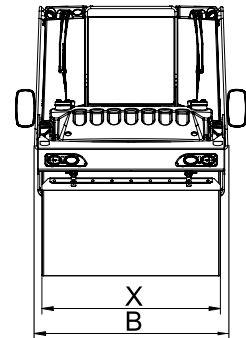
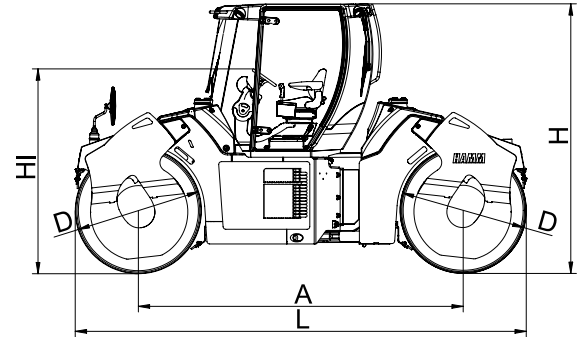
CE prepared, main battery switch, triple oil filter, water level, speedometer, sound insulation, 2 working lights rear

Optional

HCQ-asphalt-compactometer, HCQ-asphalt-thermometer front/rear, adjustable frequency regulation: front/rear/double, crab steering to extend the working with, panoramic ROPS cabin with: heating with defrost, heating/air conditioning with dehumidification, dust-free ventilation, interior lighting, front and rear wipers, interior mirror, tachograph, rotating light, lighting according to German Road Regulation, ROPS/FOPS, edge pressing and cutting equipment, radio, back-up alarm, second multifunction control lever, drum lighting, cabin with: 4 headlights, ROPS with: 4 or 6 headlights, all headlights are also available with Xenon, cloth seat, backrest extension of driver seat, safety belt, sun top, special paint.

Further data on request / subject to change

HD+ 140 VV - Articulated tandem roller
HD+ 140 VO - Articulated roller with Oscillation



		HD+ 140 VV	HD+ 140 VO
Total length	L	5000	5000
Width	B	2240	2240
Total height	H	3000	3000
Wheel base	A	3600	3600
Roller drum width	X	2140	2140
Drum diameter	D	1400	1400
Height loading, min.	HI	2185	2185