

HD 10 VV / VT



Articulated tandem roller

- ▶ Optimal view due to concave front end
- ▶ Excellent view to the drum edges
- ▶ Ergonomic driver's platform, low working platform
- ▶ Modern instrument panel
- ▶ Low machine height
- ▶ 3-point swivel joint for outstanding driving comfort
- ▶ Crab steering
- ▶ Central suspension point
- ▶ Very easy maintenance, long service intervals



HD 10 VV / HD 10 VT

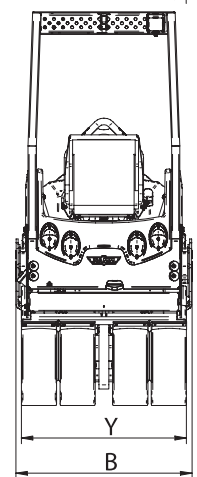
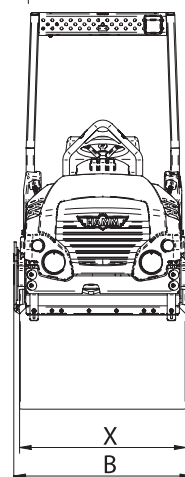
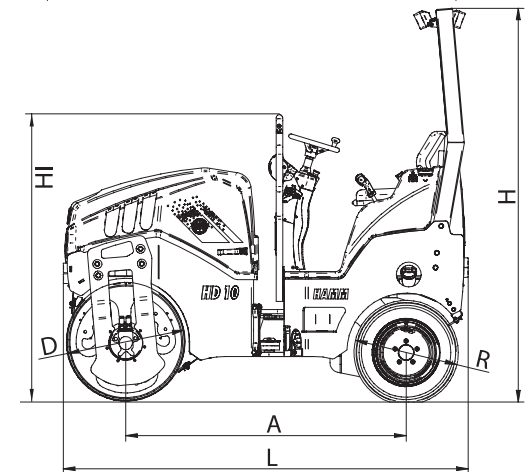
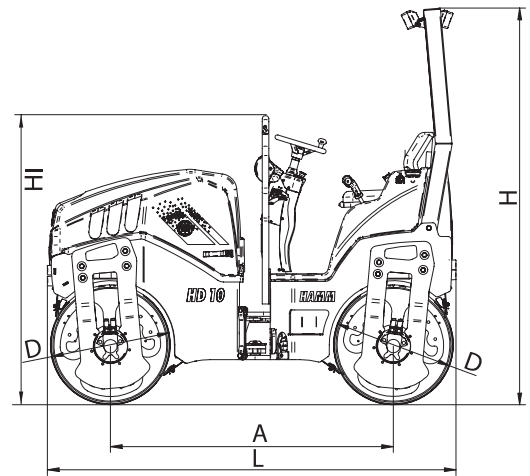


TECHNICAL DATA	HD 10 VV	HD 10 VT
----------------	----------	----------

Weights			
Operating weight	kg	2320	2220
Maximum weight	kg	2700	2700
Axle load, front/rear	kg	1150/1170	1150/1070
Load per tire, rear	kg		267,5
Static linear load, front/rear	kg/cm	11,5/11,7	
Static linear load, front	kg/cm		11,5
Machine dimensions			
Max. working width	mm	1050	1050
Turning radius, inside	mm	2470	2470
Size of tires, rear			205/60-R15
Diesel engine			
Manufacturer		HATZ	HATZ
Type		4W35	4W35
Number of cylinders		4	4
Power rat. DIN/ISO30461FN kW/PS/rpm		22,0/29,9/2700	22,0/29,9/2700
Power rating SAE J1349, kW/HP/rpm		22,0/29,5/2700	22,0/29,5/2700
Drive			
Hydrostatic drive, front/rear		Hydr. motor/hydr. motor	Hydr. motor/hydr. motor
Speed, infinitely variable	km/h	0 - 10,0	0 - 10,0
Climbing ability, vibration on/off	%	30/40	30/40
Vibration system			
Hydrostatic drive. Front and back vibration lone and double switch (VV), automatic vibration switch-off at overspeed. Manual or automatic vibration control.			
Vibration			
Vibration frequency, front	Hz	62	62
Vibration frequency, rear	Hz	62	62
Amplitude, front	mm	0,51	0,51
Amplitude, rear	mm	0,51	0,51
Centrifugal force, front	kN	33	33
Centrifugal force, rear	kN	33	33
Steering			
Steering, type		Pivoted steering	Pivoted steering
Steering, actuation		hydrostatic, steer. wheel	hydrostatic, steer. wheel
Steering lock +/-	Grad	32	32
Oscillation angle +/-	Grad	8	8
Brake system			
Service brake, mode of action		hydrostatic	hydrostatic
Service brake, actuation		Drive lever	Drive lever
Parking brake, mode of action		Spring-loaded/mechanical	Spring-loaded/mechanical
Parking brake, actuation		electr. a. autom.	electr. a. autom.
Emergency brake, mode of action		hydr./mech.	hydr./mech.
Emergency brake, actuation		Emergency stop	Emergency stop
Sprinkler system			
Water sprinkler, type		Pressure	Pressure
Actuation, sprinkling		interval/manual	interval/manual
Water tank, capacity	Ltr.	180	180
Additive sprinkling, type			Pressure
Actuation, additive sprinkling			Push button
Additive tank, capacity	Ltr.		18
Equipment			
50 mm crab steering, suspended driver seat, comfort seat with safety belt, 2 multifunctional control levers, hour meter, pilot lamps and emergency stop device, CE-conformity.			
Optional			
Lighting according to German Road Regulation, 2 working lamps on ROPS, backup alarm, rotating beacon, special paint, sun top, ROPS, edge pressing and cutting equipment, super noise insulation.			

Further data on request / subject to change

HD 10 VV - Articulated tandem roller
HD 10 VT - Articulated combination tandem roller



		HD 10 VV	HD 10 VT
Total length	L	2454	2454
Total width	B	1068	1068
Total height	H	2382	2382
Wheel base	A	1700	1700
Roller drum width	X	1000	1000
Drum diameter	D	720	720
Width over tires	Y		1000
Diameter of tires	R		630
High loading, min.	HI	1736	1736