

HD 14 VV / VT



Articulated tandem roller

- ▶ Optimal view due to concave front end
- ▶ Excellent view to the drum edges
- ▶ Ergonomic driver's platform, low working platform
- ▶ Modern instrument panel
- ▶ Low machine height
- ▶ 3-point swivel joint for outstanding driving comfort
- ▶ Crab steering
- ▶ Central suspension point
- ▶ Very easy maintenance, long service intervals



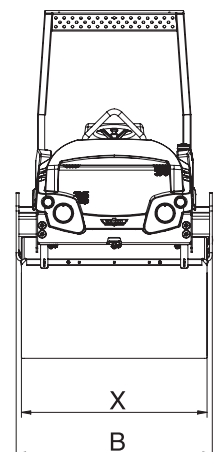
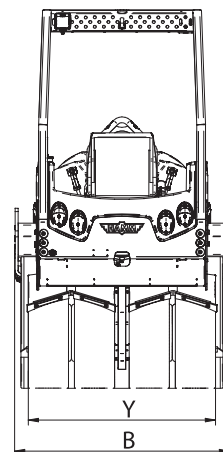
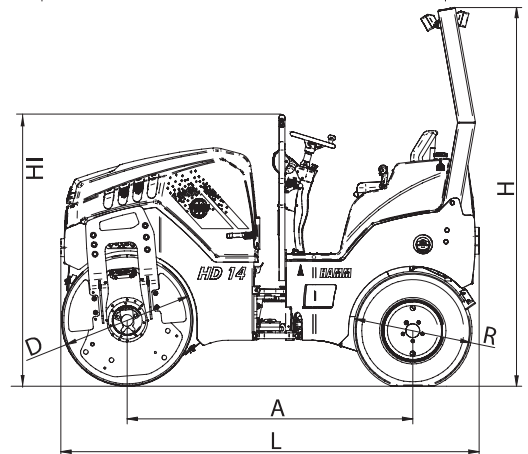
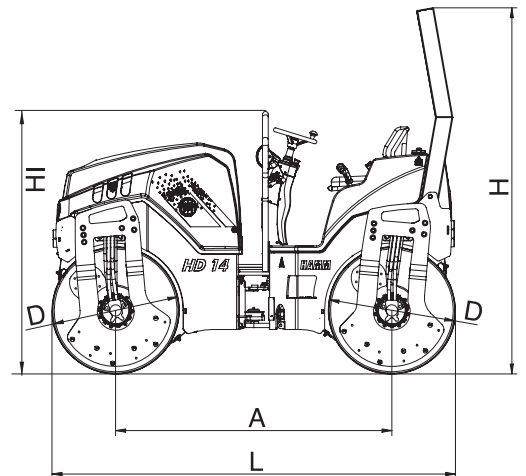
HD 14 VV / HD 14 VT



TECHNICAL DATA	HD 14 VV	HD 14 VT
Weights		
Operating weight	kg 4195	3775
Maximum weight	kg 4700	4300
Axle load, front/rear	kg 2065/2130	2065/1710
Load per tire, rear	kg 427,5	427,5
Static linear load, front/rear	kg/cm 15,0/15,4	
Static linear load, front	kg/cm 15,0	
Machine dimensions		
Max. working width	mm 1430	1380
Turning radius, inside	mm 2602	2602
Size of tires, rear		10,5/80-16
Diesel engine		
Manufacturer	HATZ	HATZ
Type	4W35T	4W35T
Number of cylinders	4	4
Power rat. DIN/ISO30461FN kW/PS/rpm	29,4/40,0/2800	29,4/40,0/2800
Power rating SAE J1349, kW/HP/rpm	29,4/39,4/2800	29,4/39,4/2800
Drive		
Hydrostatic drive, front/rear	Hydr. motor/hydr. motor	Hydr. motor/hydr. motor
Speed, infinitely variable	km/h 0 - 10,0	0 - 10,0
Climbing ability, vibration on/off	% 30/40	30/40
Vibration system		
Hydrostatic drive. Front and rear vibration one and double switch (VV), automatic vibration switch-off at overspeed. Manual or automatic vibration control.		
Vibration		
Vibration frequency, front, I/II	Hz 61/61	61/61
Vibration frequency, rear, I/II	Hz 61/61	
Amplitude, front, I/II	mm 0,52/0,32	
Amplitude, rear, I/II	mm 0,52/0,32	
Amplitude, front, I/II	mm 0,52/0,32	
Centrifugal force, front, I/II	kN 65/40	
Centrifugal force, rear, I/II	kN 65/40	
Centrifugal force, front, I/II	kN 65/40	
Steering		
Steering, type	Pivoted steering	Pivoted steering
Steering, actuation	hydrostatic, steer. wheel	hydrostatic, steer. wheel
Steering lock +/-	Grad 33	33
Oscillation angle +/-	Grad 8	8
Brake system		
Service brake, mode of action	hydrostatic	hydrostatic
Service brake, actuation	Drive lever	Drive lever
Parking brake, mode of action	Spring-loaded/mechanical	Spring-loaded/mechanical
Parking brake, actuation	electr. a. autom.	electr. a. autom.
Emergency brake, mode of action	hydr./mech.	hydr./mech.
Emergency brake, actuation	Emergency stop	Emergency stop
Sprinkler system		
Water sprinkler, type	Pressure	Pressure
Actuation, sprinkling	interval/manual	interval/manual
Water tank, capacity	Ltr. 290	290
Additive sprinkling, type	Pressure	Pressure
Actuation, additive sprinkling	Push button	Push button
Additive tank, capacity	Ltr. 20	20
Equipment		
50 mm crab steering, suspended driver seat, comfort seat with safety belt, 2 multifunctional control levers, hour meter, pilot lamps and emergency stop device, CE-conformity.		
Optional		
Lighting according to German Road Regulation, 2 working lamps on ROPS, backup alarm, rotating beacon, special paint, sun top, ROPS, edge pressing and cutting equipment, super noise insulation.		

Further data on request / subject to change

HD 14 VV - Articulated tandem roller
HD 14 VT - Articulated combination tandem roller



	HD 14 VV	HD 14 VT
Total length	L 2856	2856
Total width	B 1468	1468
Total height	H 2585	2585
Wheel base	A 1950	1950
Roller drum width	X 1380	1380
Drum diameter	D 898	898
Width over tires	Y 1280	
Diameter of tires	R 810	
High loading, min.	HI 1853	1853