

HD 8 vv



Articulated tandem roller

- ▶ Optimal view due to concave front end
- ▶ Excellent view to the drum edges
- ▶ Clear Side - one-sided drum suspension
- ▶ Offset - crab steering
- ▶ Ergonomic driver's platform
- ▶ Modern instrument panel
- ▶ Low working platform, high stability
- ▶ Low machine height
- ▶ 3-point swivel joint for outstanding driving comfort
- ▶ Central suspension point



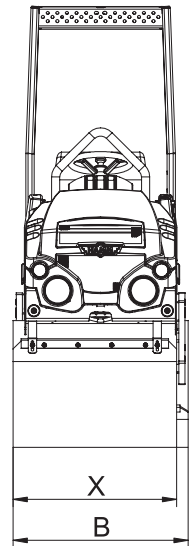
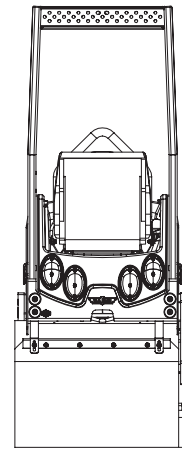
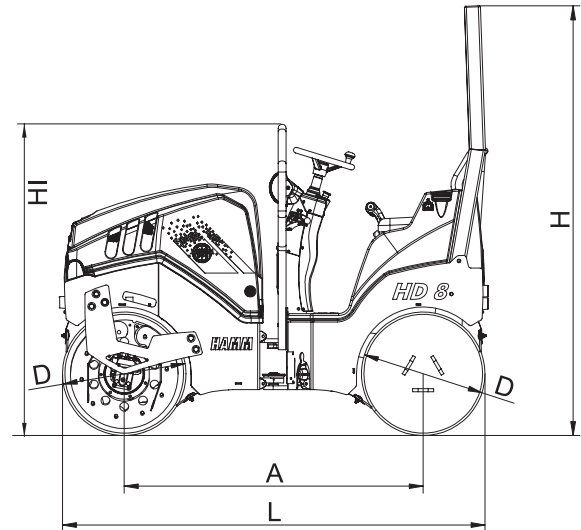
TECHNICAL DATA

HD 8 VV

Weights		
Operating weight	kg	1445
Maximum weight	kg	1750
Axle load, front/rear	kg	710/735
Static linear load, front/rear	kg/cm	8,9/9,2
Machine dimensions		
Max. working width	mm	856
Turning radius, inside	mm	2104
Diesel engine		
Manufacturer		HATZ
Type		3W35
Number of cylinders		3
Power rat. DIN/ISO3046IFN kW/PS/rpm		15,7/21,4/2700
Power rating SAE J1349, kW/HP/rpm		15,7/21,0/2700
Drive		
Hydrostatic drive, front/rear		Hydr. motor/hydr. motor
Speed, infinitely variable	km/h	0 - 10,0
Climbing ability, vibration on/off	%	30/40
Vibration system		
Hydrostatic drive. Front and back vibration lone and double switch, automatic vibration switch-off at overspeed. Manual or automatic vibration control.		
Vibration		
Vibration frequency, front	Hz	62
Vibration frequency, rear	Hz	62
Amplitude, front	mm	0,45
Amplitude, rear	mm	0,45
Centrifugal force, front	kN	21
Centrifugal force, rear	kN	21
Steering		
Steering, type		Pivoted steering
Steering, actuation		hydrostatic, steer. wheel
Steering lock +/-	Grad	33
Oscillation angle +/-	Grad	8
Brake system		
Service brake, mode of action		hydrostatic
Service brake, actuation		Drive lever
Parking brake, mode of action		Spring-loaded/mechanical
Parking brake, actuation		electr. a. autom.
Emergency brake, mode of action		hydr./mech.
Emergency brake, actuation		Emergency stop
Sprinkler system		
Water sprinkler, type		Pressure
Actuation, sprinkling		interval/manual
Water tank, capacity	Ltr.	75
Equipment		
Comfort seat with safety belt, multifunctional control lever, hour meter, pilot lamps and emergency stop device, CE-conformity.		
Optional		
Lighting according to German Road Regulation, 2 working lamps rear on ROPS, backup alarm, rotating beacon, special paint, 2 control lever, folding ROPS.		

Further data on request / subject to change

HD 8 VV - Articulated tandem roller



	HD 8 VV	
Total length	L	2177
Total width	B	856
Total height	H	2155
Wheel base	A	1500
Roller drum width	X	800
Drum diameter	D	620
High loading, min.	HI	1560