

HD 0120V

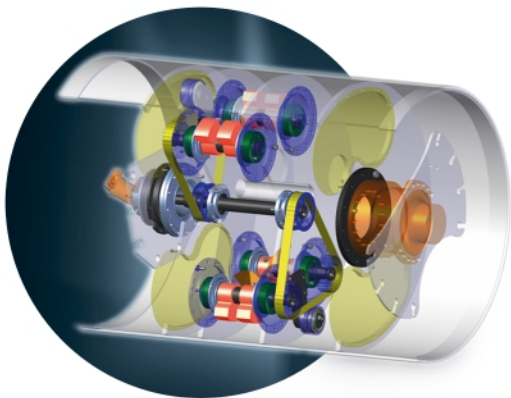


OSCILLATION



Tandem roller with oscillation and vibration

- ▶ Ergonomic driver's seat with 2 multifunction control lever
- ▶ Driver's seat including steering wheel and instrument panel rotatable and pivotable
- ▶ Outstanding visibility to the surface and edge of the drum and surroundings
- ▶ Crab steering to extend the working width
- ▶ Universally applicable thanks to oscillation and vibration
- ▶ Hydrostatic all-wheel drive ensures great climbing pave
- ▶ Turbo-Diesel with high performance and low noise
- ▶ Sprinkler system with 2 water pumps, spraying jets visible from the driver's seat



TECHNICAL DATA

HD O120V

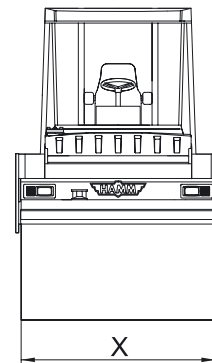
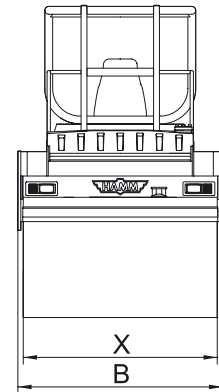
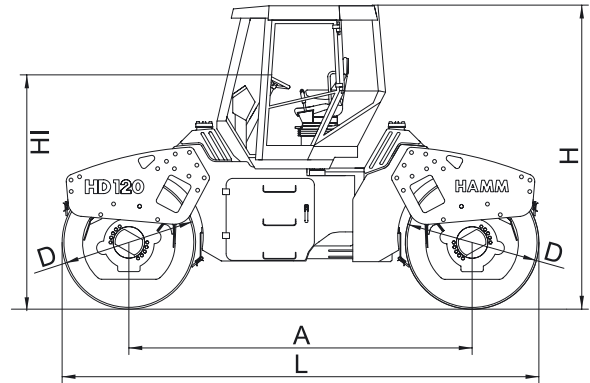
Weights		
Operating weight	kg	12250
Maximum weight	kg	13950
Axle load, front/rear	kg	6180/6070
Static linear load, front/rear	kg/cm	31,2/30,7
Machine dimensions		
Max. working width	mm	2080
Turning radius, inside	mm	5285
Diesel engine		
Manufacturer		DEUTZ
Type		TCD 2012 L04 2V
Number of cylinders		4
Power rat. ISO 14396, kW/PS/rpm		100,0/136,0/2300
Power rating SAE J1349, kW/HP/rpm		100,0/134,0/2300
Drive		
Hydrostatic drive, front/rear		Hydr. motor/hydr. motor
Speed, working gear	km/h	0-6,2
Speed, transportation gear	km/h	0-12,0
Climbing ability, vibration on/off	%	30/35
Vibration system		
Hydrostatic drive. Oscillator and/or vibrator separately switchable. Engine independent automatic frequency control with digital display. Oscillation and vibration manually and automatically switchable.		
Vibration		
Vibration frequency, front, l/II	Hz	42/50
Amplitude, front, l/II	mm	0,87/0,46
Centrifugal force, front, l/II	kN	186/139
Oscillation		
Oscillation frequency, rear, l/II	Hz	36/42
Tangential amplitude, rear, l/II	mm	1,51/1,51
Oscillation force, rear, l/II	kN	205/279
Steering		
Steering, type		Pivoted steering
Steering, actuation		hydrostatic, steer. wheel
Steering lock +/-	Grad	32
Oscillation angle +/-	Grad	10
Brake system		
Service brake, mode of action		hydrostatic
Service brake, actuation		Drive lever
Parking brake, mode of action		Spring-loaded/mechanical
Parking brake, actuation		electr. a. autom.
Emergency brake, mode of action		hydr./mech.
Emergency brake, actuation		Emergency stop
Sprinkler system		
Water sprinkler, type		Pressure
Actuation, sprinkling		interval/manual
Water tank, capacity	Ltr.	900

Equipment
Spring loaded driving position, 1 swivelling and turning driver seat, 2 multifunctional levers, left and right at seat. Indicators for: engine temperature, working hours, fuel tank, control lights and emergency stop button. 2 working lights rear, lights according to German Road Regulation, main battery switch, triple oil filter. Indicators for: hydraulic oil temperature, water level in tanks, adjustable vibration: front / rear / double. CE prepared.

Optional
Panoramic ROPS cabin with: heating, dust-free ventilation, sun shade, interior lighting, front and rear wipers, interior mirror, beacon, ROPS/FOPS, HCQ-Indicator Asphalt, safety belt, speedometer, sound isolation, sun top, pressing and cutting equipment, radio, special paint, sponge roll, bitumen-temperature gauge, back-up alarm.

Further data on request / subject to change

HD O120V - Tandem roller with oscillation and vibration



		HD O120V
Total length	L	5000
Total width	B	2090
Total height	H	3200
Wheel base	A	3600
Roller drum width	X	1980
Drum diameter	D	1400
High loading, min.	HI	2520