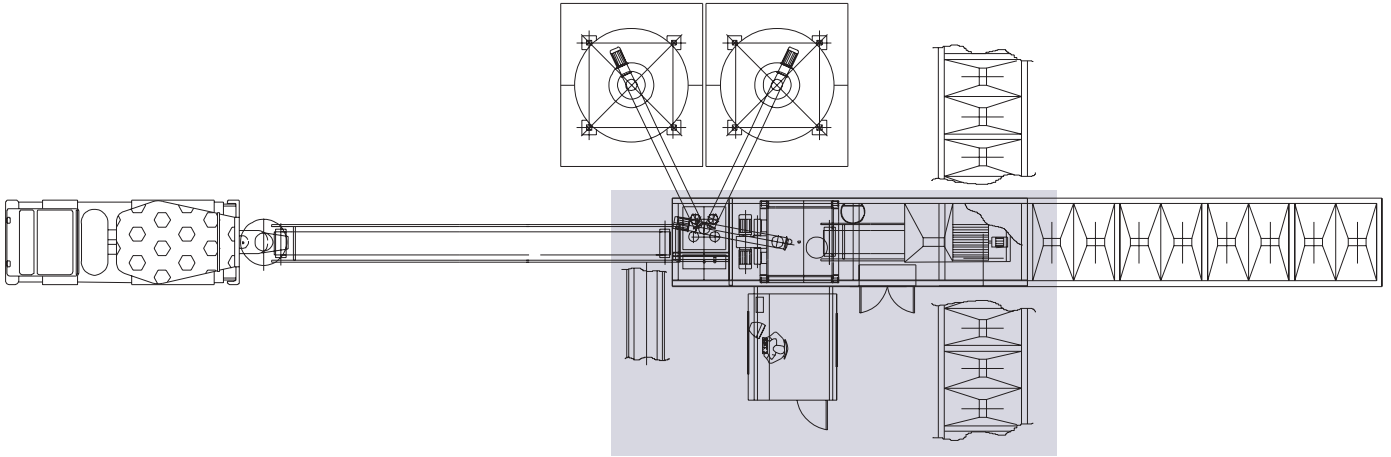


* new generation

MOBILE CONCRETE PLANT

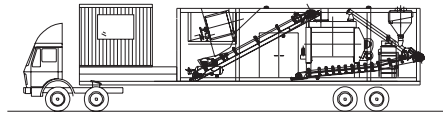
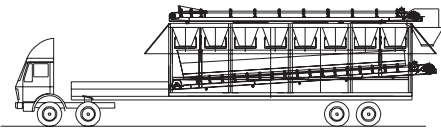


* new generation



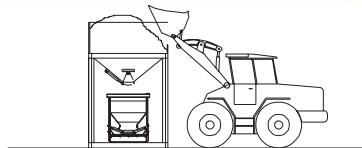
MOBILE CONCRETE PLANT

The Hartl Concrete Plant "new generation" convinces through its compact, modular construction and the mobility attainable thereby. The "new generation" can be easily transported with two loaders from one place of action to another and can be set up and taken in operation without every foundation attachments in just one day. A multiplicity of performance sizes and additional options guarantee an optimal extend of utilization and high economic viability.



TECHNICAL DETAILS

- 3 sizes of performance 60 - 120 m³/h
- 4 - 5 aggregate batching silos à 15 m³
- Automatic control Sauter SUS 4.0



hartl
BETONTECHNIK

caldehusa

Calderería de Humanes, S.A.
Avda. de la Industria, 73 B
E28970 Humanes de Madrid (España)
Tel.: (+34) 916856340
Fax: (+34) 916907599
www.caldehusa.net