

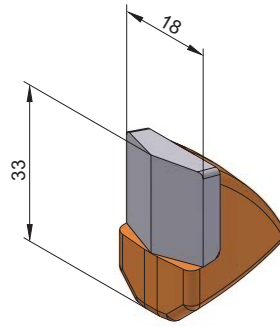


### Weld-on teeth

#### Service number

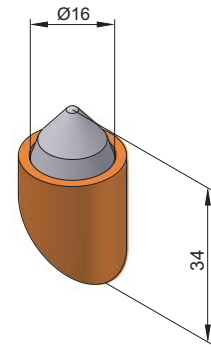
+ 49 (0) 74 22 / 5 65-144

Fax + 49 (0) 74 22 / 5 65-122



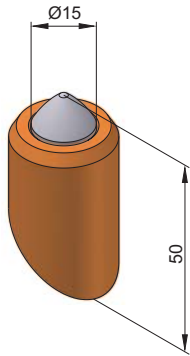
→ **BFZ144**

→ BFZ18/L



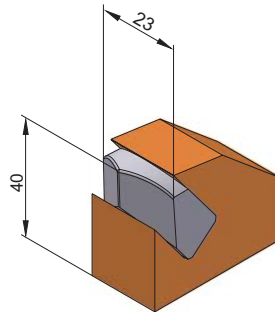
→ **BFZ158**

→ BFZ3



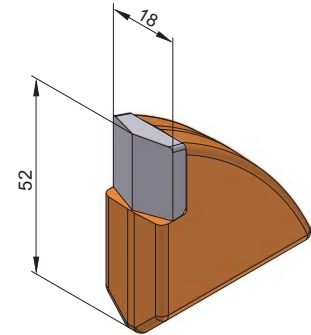
→ **BFZ207**

→ BFZ1



→ **BFZ260**

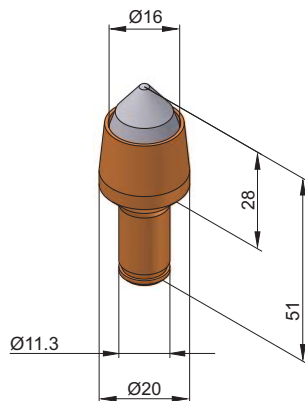
→ BFZ42x40x23



→ **BFZ87**

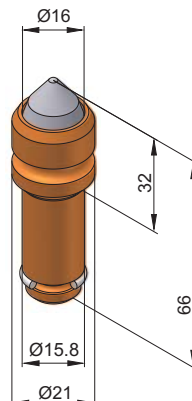
→ BFZ18/2

### Round shank cutter bits 11,3 mm / 0,44" + 15,8 mm / 0,622" + Special type



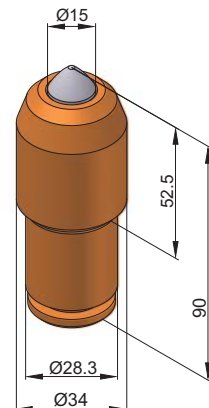
→ **BM46**

→ BM3-11.3



→ **BM73**

→ BM3-15.8/F



→ **BSR110**

→ BSR15/S28